



Chain Link Case Study

Test Report: Polyga Carbon XL



➤ Polyga is a developer of 3D scanners and mesh processing software based in **Vancouver, Canada**

➤ Thousands of **3D scanning software** installations

➤ Core Technology: **Structured light 3D Scanning & 3d Scan Data Processing Software**

➤ Developed **20+** scanner models

➤ Hundreds of scanner deliveries **worldwide** in **engineering** and **research companies**

Products & Technology

All Polyga 3D scanners use structured-light technology for capturing high-resolution digital 3D scans from real world objects. These systems are great for companies, manufacturers, academic institutions, visual effect studios, and research labs that need 3D scan data for visualization and measurement applications including:

- 3D modeling
- Documentation/archiving
- Reverse engineering
- Scientific measurement
- Computer-aided inspection
- Rapid prototyping/3D printing

Scanning Overview

Scanners

Polyga Carbon XL

Introduction

The purpose of this job was to perform a 3D scan of a chain link to be used for developing a STEP file for importing into a CAD system.

Scan Processing Results

The model comprises of 37 scans before merging.

Setup

Developer Spray was used on chrome surfaces before scanning to help in acquiring scan data.

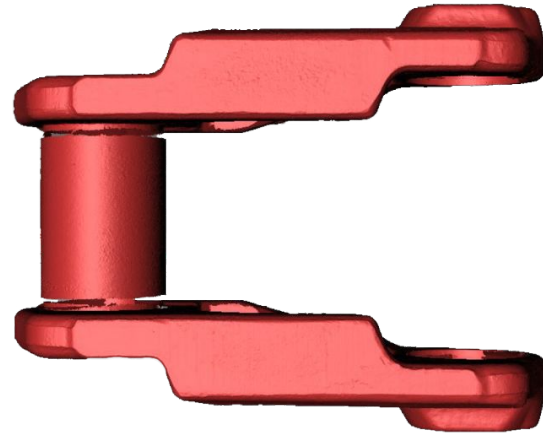


Equipment Used

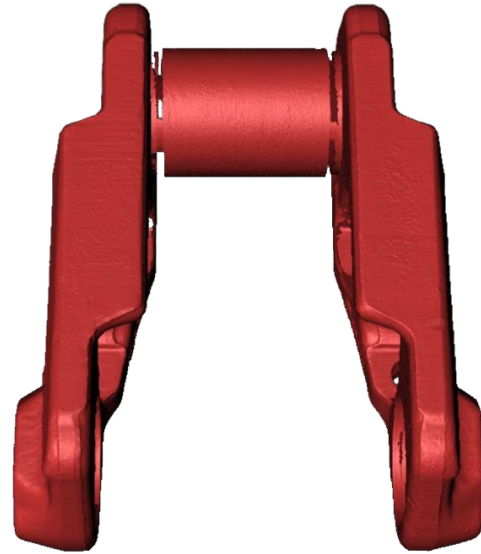
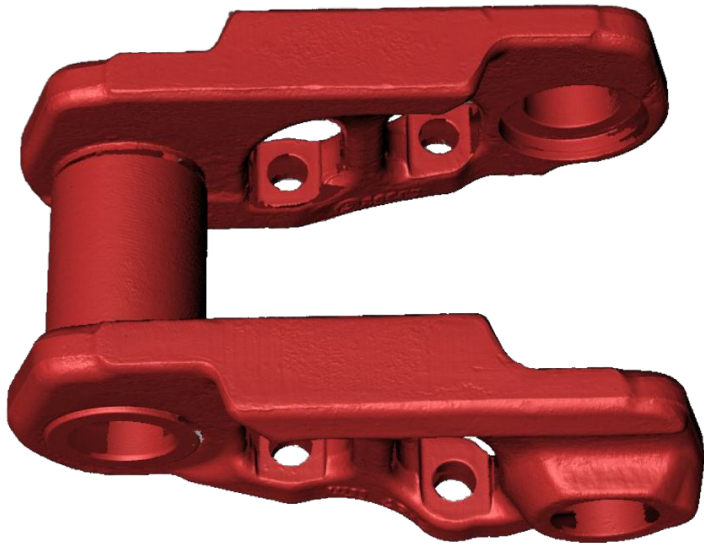
Polyga Carbon XL



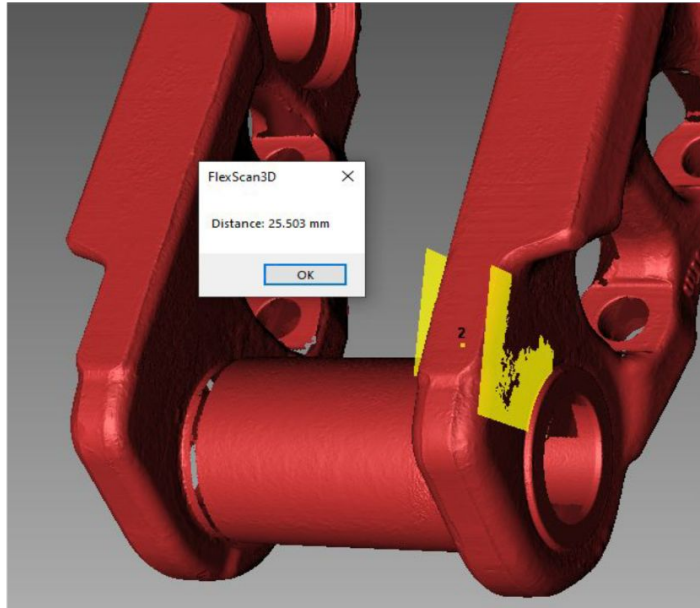
Scan Results



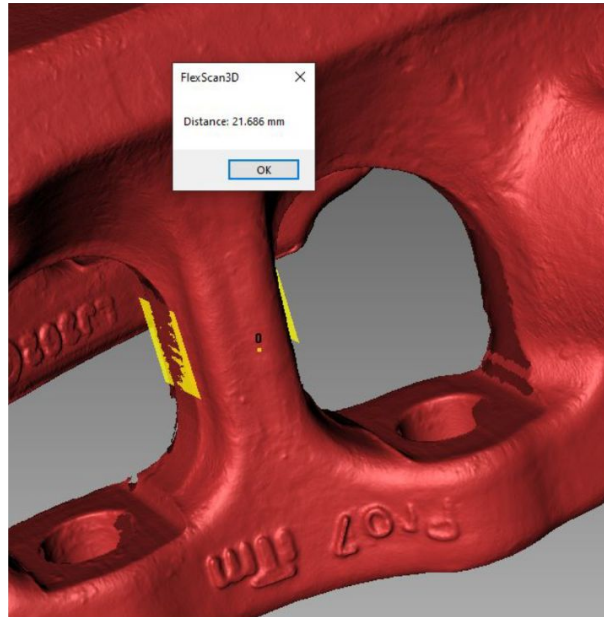
Scan Results



Scan Results



Scan Results



Our Team Looks Forward To Speaking With You Soon!

www.polyga.com

contact@polyga.com

+1 (604) 293-1767

Unit 221 – 3993 Henning Drive
Burnaby, BC V5C 6P7
Canada

