



New

Polyga S1 3D SCANNER

Faster



Powerful

Easy to Use, High Accuracy 3D Scanning

Convenient and easy to use, this professional 3D scanner is factory calibrated for accuracy to get you 3D scanning in no time. The Polyga Compact 3D scanners are great for any companies, manufacturers, academic institutions, visual effect studios, and research labs that need accurate and reliable 3D scan data.

Applications include:

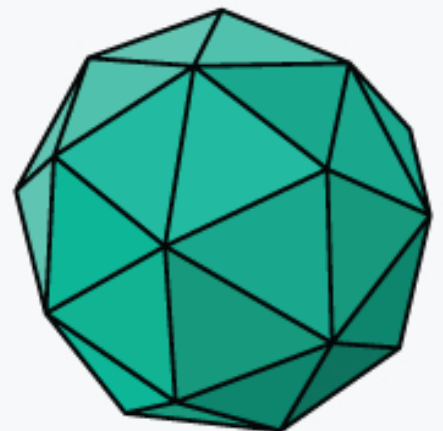
- Reverse engineering
- Computer and robotic vision
- Scientific measurement and documentation
- Quality inspection
- 3D modeling
- Rapid prototyping / 3D printing

The S1 comes in two models:

- Standard S1 with a 100mm diagonal FOV
- S1 Wide (S1w) with a 200mm diagonal FOV

S1 for parts: **5 to 30** cm in size

S1w for parts: **10 to 60** cm in size





Easy to Set Up

Simply connect the Polyga Compact 3D scanner and install the included FlexScan3D software on your computer. The system is now ready for 3D scanning.

New



Improved Scan Speed

With the new USB 3.0, the Compact 3D scanners are faster to capture 3D scans with millions of points in under one second with high accuracy.

1, 2, 3

Intuitive To Use

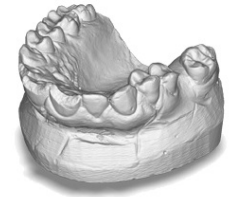
The 3D scanners produce 3D scans from real-world objects with the click of a button. There's no need to calibrate or recalibrate the system. Save time and boost productivity.



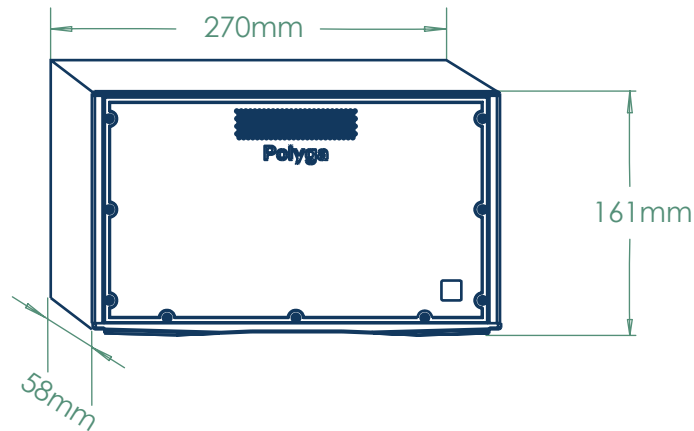
Take It To Go

With a sleek and slim build, these desktop 3D scanners make it easy to take along when travelling. Put it in your suitcase or travel case and you're ready to go.

Specifications

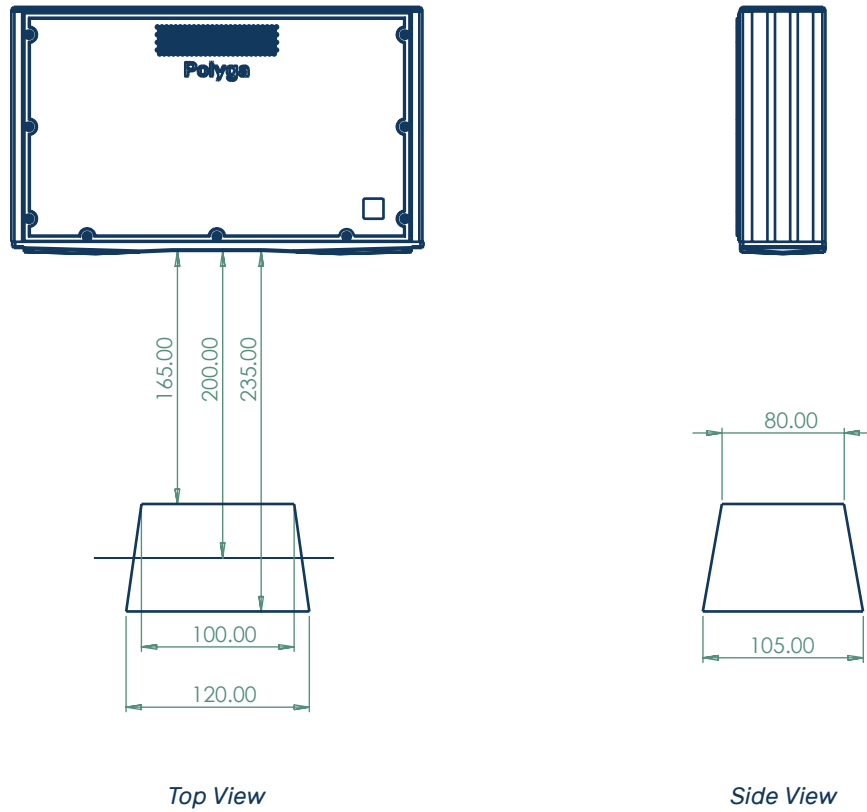


Cameras:	2 x 2 megapixel mono or color
Scan Speed:	0.5 seconds
Average Points	2 Million
Size:	58mm x 270mm x 161mm
Export Fromats:	PLY, STL, OBJ,ASC
Scanning Software:	FlexScan3D



Specifications

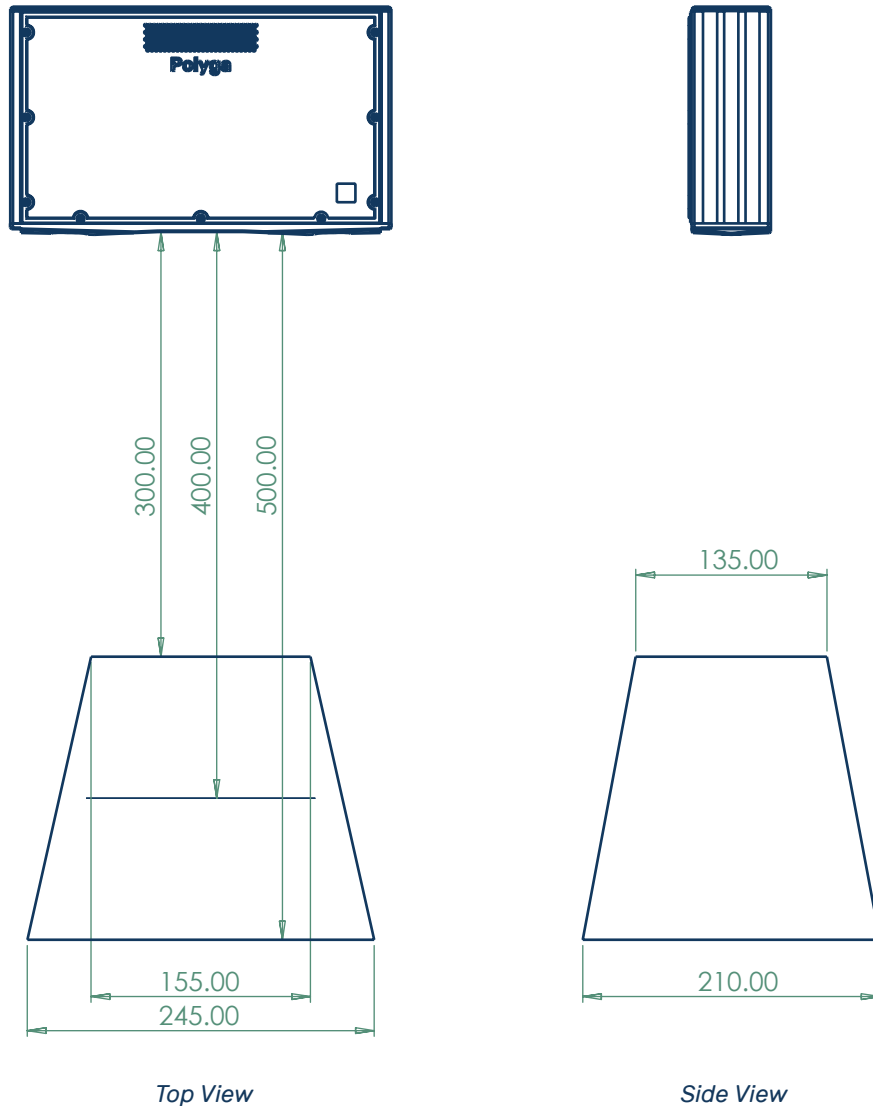
Compact S1 - Field of View & Standoff Distance



Field of View S1:	100 x 80 - 120 x 105 mm
Point to Point Distance S1:	0.085 mm
Accuracy S1:	35 microns
Standoff S1:	200mm

Specifications

Compact S1 Wide - Field of View & Standoff Distance



Field of View S1w:	155 x 135 – 245 x 210mm
Point to Point Distance S1w:	0.150 mm
Accuracy S1w:	40 microns
Standoff S1w:	400mm